

HTN



HTN PVDF

Compact, Plastic Magnetic drive Regenerative Turbine pumps
Materials: PP (Polypropylene), PVDF (Polyvinylidene fluoride)
Close-coupled execution



Comply to :
2006/42/CE

Available upon request :

ATEX



Directive 94/9/EC

Flanges :

UNI 1092 PN16RF type B
ANSI 150RF

HTN range are Plastic Sealless Magnetic Drive horizontal turbine single-stage pumps

Inner and Outer magnets are equipped with NdFeB (neodymium iron boron) or SmCo (samarium cobalt) permanent magnets

Patented cage magnet attachment guarantee stability during the operation of the pump

Mag drive concept

The synchronous drive configuration is based on an outer magnet ring assembly built to magnetically couple with an inner magnet ring assembly. These two magnet rings are locked together by the flux of attracting magnet poles flowing through the containment isolation shell

Sealless design

Total containment, essential for hazardous, aggressive or valuable product.

Zero Eddy Current Loses thanks to non metallic execution

The HTN are available in **close coupled execution**, suitable to be coupled with standard electrical motors

Can operate without axial or radial thrusts thanks to the impeller design, eliminating wear on axial thrust bearing

The forced internal recirculation path design allows the pump to work properly along the whole performances curve

Versatility

The HTN offers a good range of materials for the wetted parts :

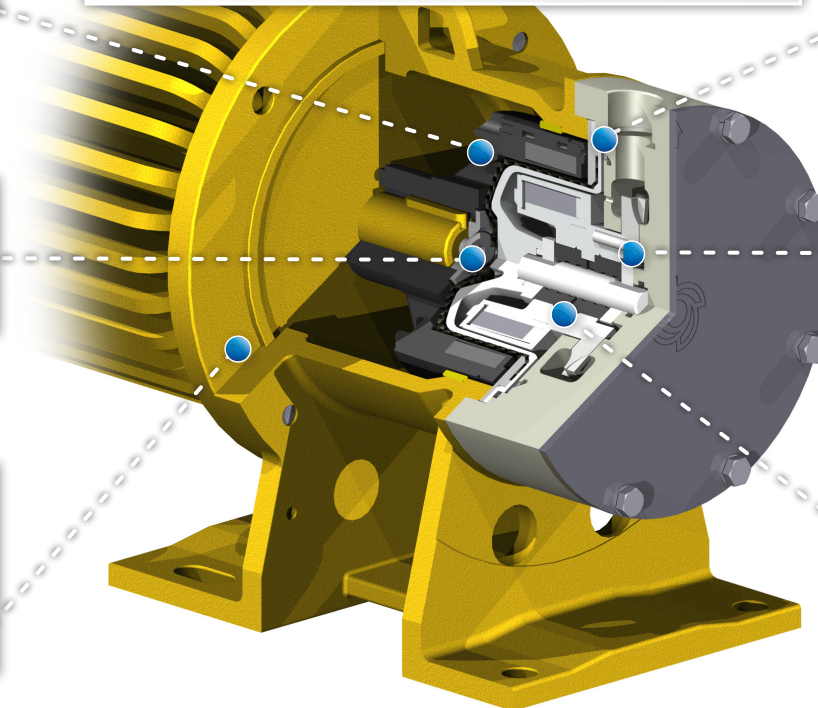
- PP (Polypropylene)
- PVDF (Polyvinylidene fluoride)

Reliability

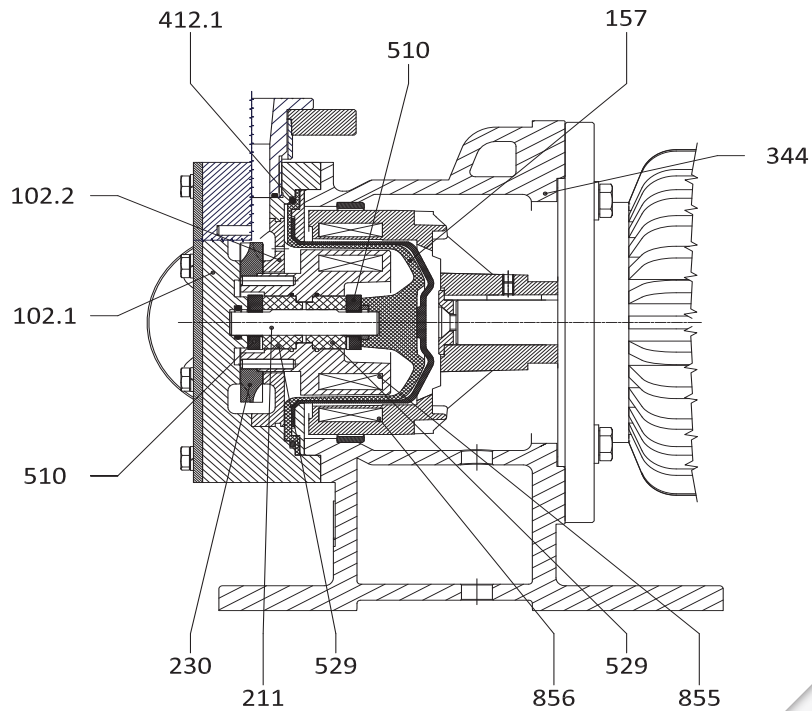
Suitable for handling aggressive and hazardous liquids (low viscosity, clean or slightly contaminated) in the chemical, petrochemical and pharmaceutical industries

Design

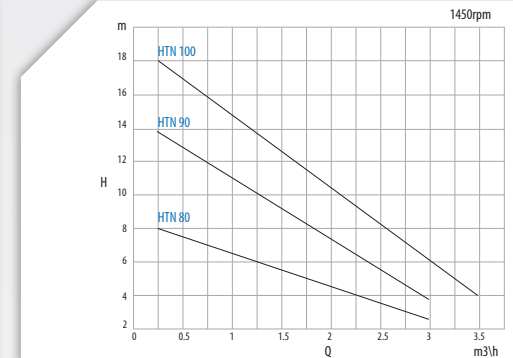
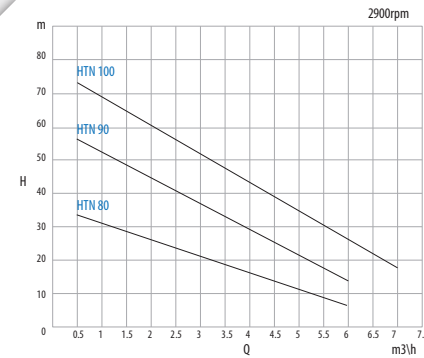
The regenerative pump produces large head at comparatively small flows : a performance range which is not usually covered by standard centrifugal pumps



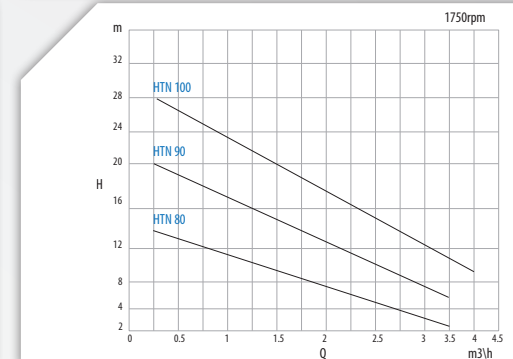
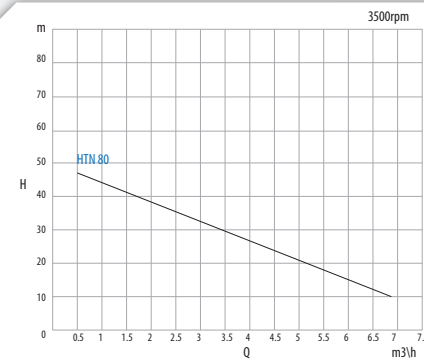
TECHNICAL SPECIFICATIONS



50 Hz



60 Hz



Technical Specifications

Performances 2900 rpm	Q max = 6 m³/h -> H max = 75 mcl
Electric Motors	0.75 kW (motor size 80) -> 5.5 kW (motor size 132)
Temperature range	<ul style="list-style-type: none"> PP : 0°C -> +60°C PVDF : -10°C -> +80°C
Allowable Pressure Range	<ul style="list-style-type: none"> PP : from 9 bar (20°C) to 6 bar (60°C) PVDF : from 9 bar (20°C) to 6 bar (80°C)
Threaded Connections	HTN series G1" X G1" * as option : Flanges DN25 ISO 1092 PN10RF or ANSI 150 RF
Viscosity	1cSt min - 100 cSt max
Allowable Solids	No solids are allowed

Part list

DIN	Components	Materials
102.1/2	Casing	PP/PVDF
157	Isolation Shell	ETFE+PC
211	Pump Shaft	SiC/Al2O3
230	Impeller	PVDF
344	Lantern	GS400
412.1	Casing O-Ring	EPDM/FPM/FKM
510	Thrust Bearing	SiC/Al2O3
529	Bearing Sleeve	SiC/PTFE-Al2O3/Graphite
855	Inner Magnet	ETFE
856	Outer Magnet	GS400-Ryton



C.D.R. Pompe S.p.A.

Via P. Togliatti, 26/A - 20030 Senago (MI) - Italy

Tel. +39029901941

Fax +39029980606

www.cdrpompe.com

info@cdrpompe.it

TB - HTN 2012.01



For further info, please visit
www.cdrpompe.com

Technical Characteristics

The technical data and characteristics stated in this General Catalogue are not binding. CDR Pompe S.p.a. reserves the right to make modifications without notice. Therefore data, dimensions, performances and any other stated issues are indicative only and not binding. Anyway for any technical details you must require an up-to-date product technical card.